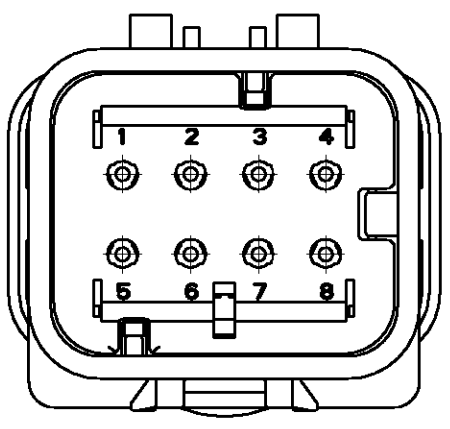
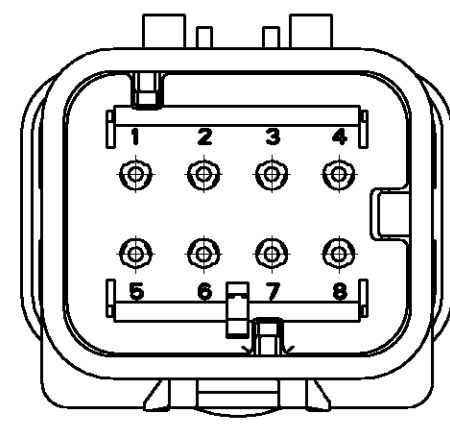


THIS DRAWING IS UNPUBLISHED. RELEASED FOR PUBLICATION  
 © COPYRIGHT 20 BY TYCO ELECTRONICS CORPORATION. ALL RIGHTS RESERVED.

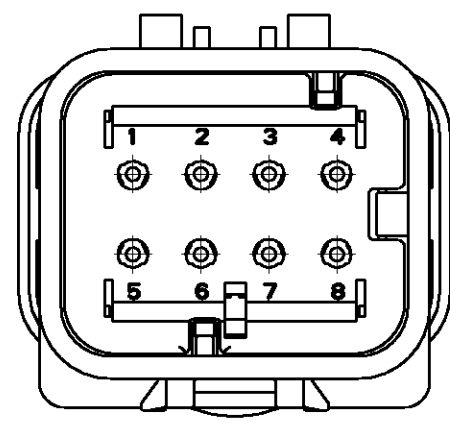
LOC	DIST	REVISIONS					
		P	LTR	DESCRIPTION	DATE	DWN	APVD
GE	00		1	REL PER EC OK40-0457-03	04SEP2003	WH	DK
			2	REV PER EC OK40-0605-03	04NOV2003	WH	JP
			A	REV PER EC OK40-0345-04	04OCT2004	WH	JP
			B	REV PER ECR-05-000715	17MAR2005	WH	RS



776538-2  
SCALE 2:1

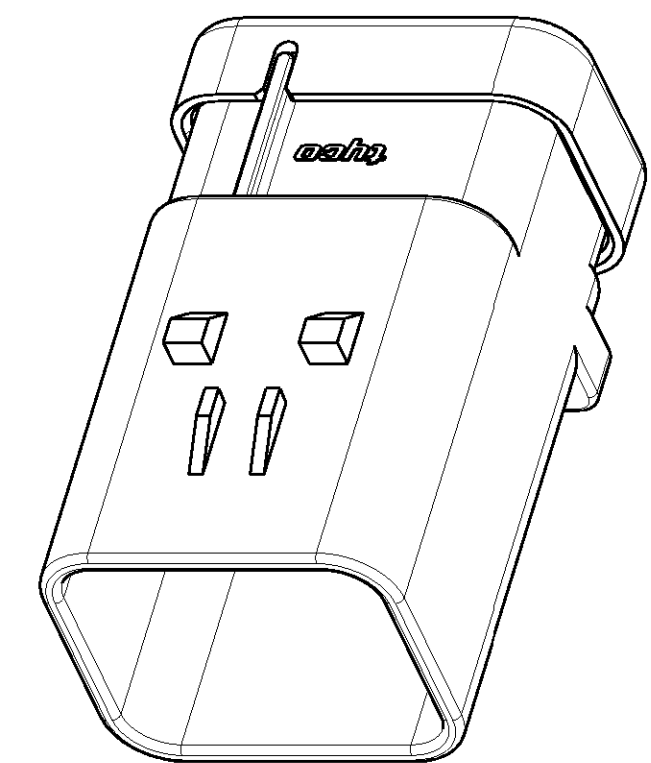
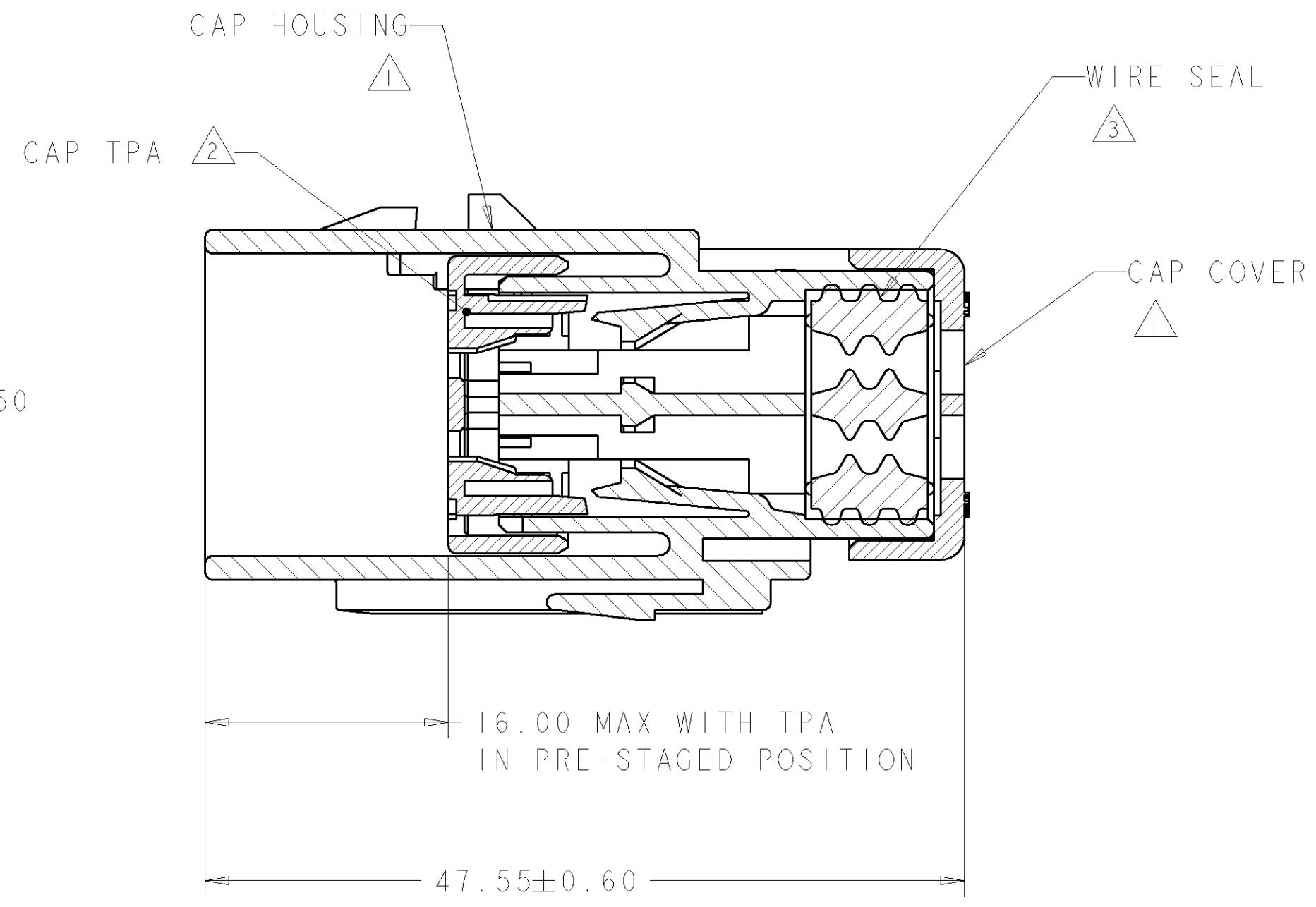
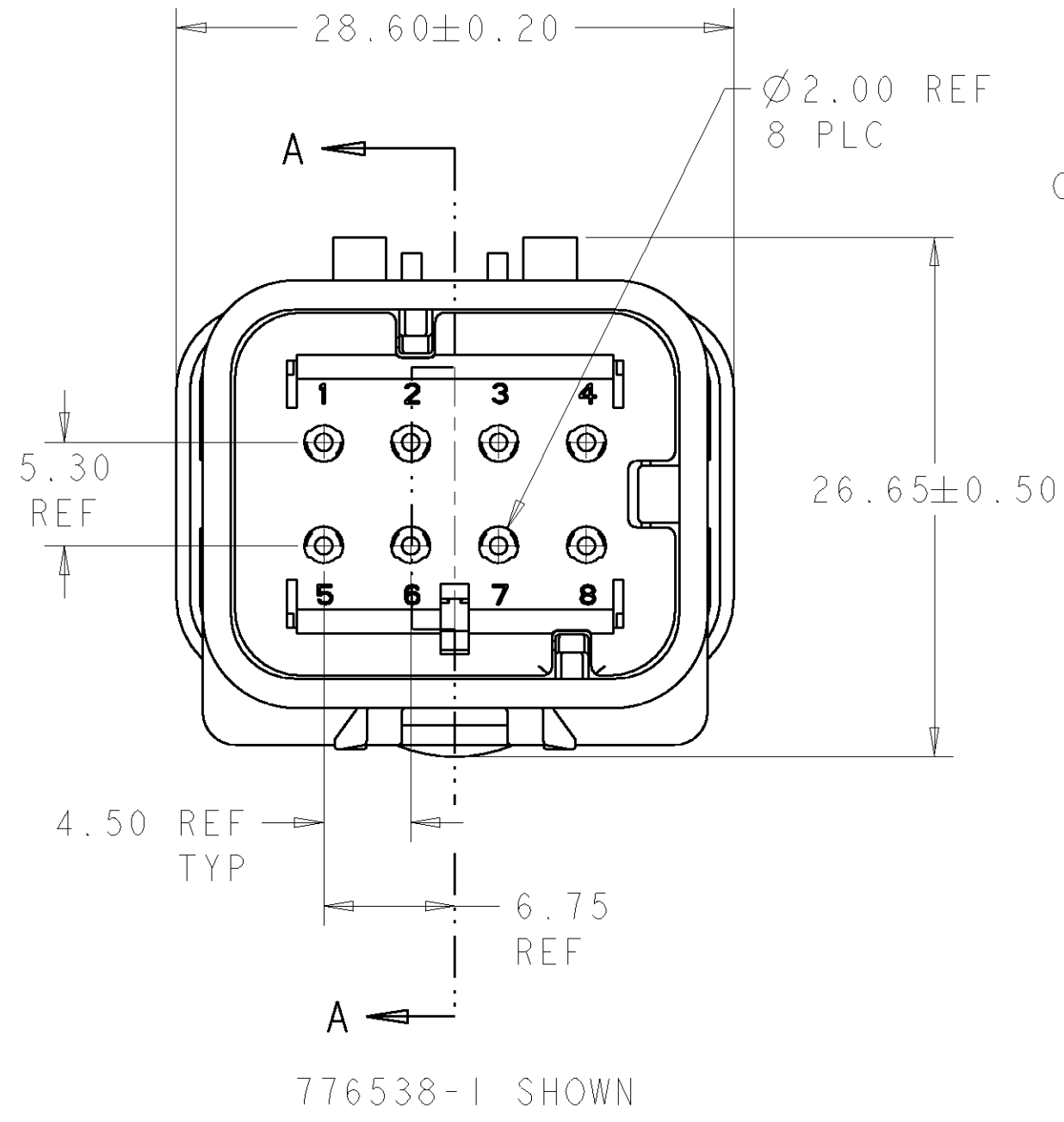


776538-3  
SCALE 2:1



776538-4  
SCALE 2:1

- 1 MATERIAL: 15% GLASS FILLED THERMOPLASTIC  
COLOR: BLACK
- 2 MATERIAL: 15% GLASS FILLED THERMOPLASTIC  
COLOR: (SEE TABLE)
- 3 MATERIAL: SILICONE  
COLOR: ORANGE
- 4. RECOMMENDED WIRE DIAMETER RANGE IS 1.30 TO 2.30mm



SCALE 2:1

TPA COLOR	PART NUMBER
GREEN	776538-4
YELLOW	776538-3
GRAY	776538-2
RED	776538-1

THIS AMP PROPRIETARY INFORMATION IS CONFIDENTIAL AND IS DISCLOSED TO YOU ON CONDITION THAT NO FURTHER DISCLOSURE IS MADE BY YOU TO ANYONE OTHER THAN AMP PERSONNEL WITHOUT WRITTEN AUTHORIZATION FROM AMP INCORPORATED, HARRISBURG, PA.

THIS DRAWING IS A CONTROLLED DOCUMENT FOR TYCO ELECTRONICS CORPORATION IT IS SUBJECT TO CHANGE AND THE CONTROLLING ENGINEERING ORGANIZATION SHOULD BE CONTACTED FOR THE LATEST REVISION.		DWN: 04SEP2003 W. HOELSCHER CHK: 04SEP2003 J. PATTERSON APVD: 04SEP2003 D. KLEIN	<b>tyco</b> Electronics AMP Incorporated Harrisburg, PA 17105-3608
DIMENSIONS: mm 	TOLERANCES UNLESS OTHERWISE SPECIFIED: 0 PLC ± 1 PLC ± 2 PLC ± 3 PLC ± 4 PLC ± ANGLES ± FINISH	PRODUCT SPEC: - APPLICATION SPEC: 114-13065 WEIGHT: - CUSTOMER DRAWING	NAME: CAP ASSEMBLY, 8 POSITION, 2 ROW, AMPSEAL 16 CONNECTOR REDUCED DIA WIRE SEAL SIZE: A2 CAGE CODE: 00779 DRAWING NO: G-776538 RESTRICTED TO: - SCALE: 2:1 SHEET 1 OF 1 REV B